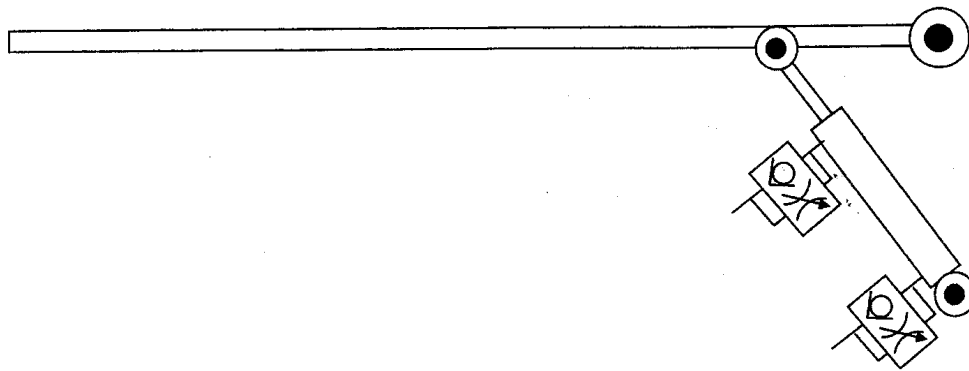


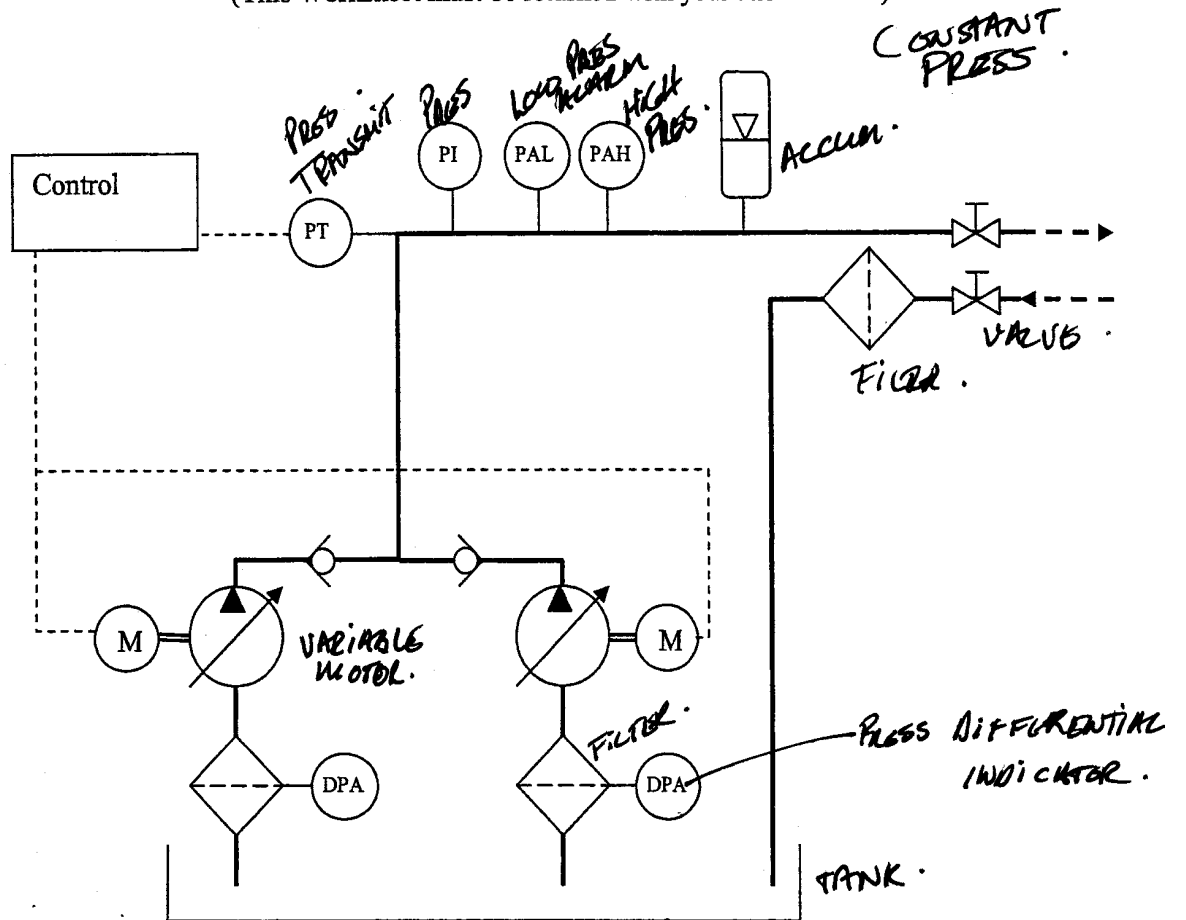
Fig Q4 shows a hydraulic cylinder that operates a safety barrier. Explain the possible consequences of EACH of the following:

- (a) dirt in the hydraulic oil; **BLOCK VALVES**
- (b) orifices being adjusted to be too large. **LEADS TO QUICK BURST SEALS**

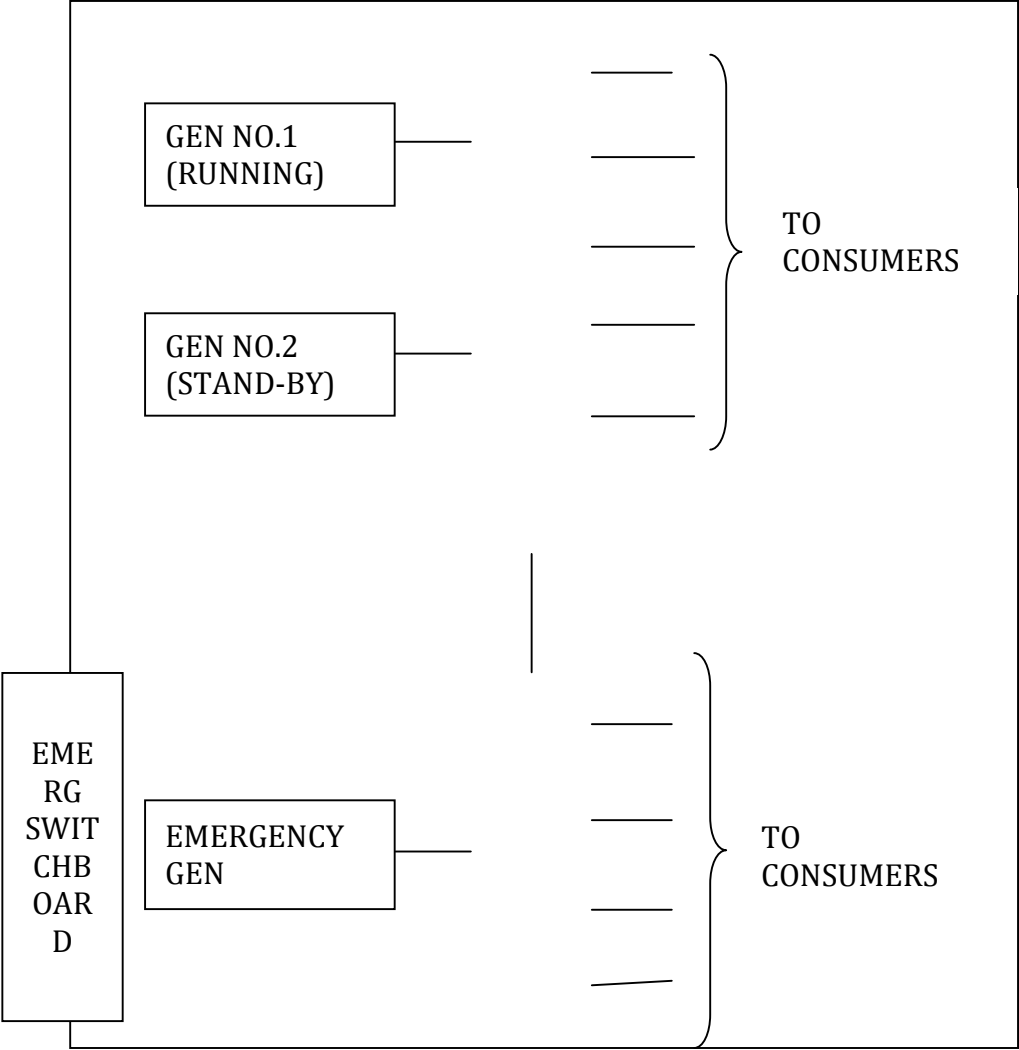


For
rev
ne
st
rect

(This Worksheet must be returned with your answer book)



MAIN
SWIT
CHB
OAR
D



GEN NO.1
(RUNNING)

GEN NO.2
(STAND-BY)

TO
CONSUMERS

EME
RG
SWIT
CHB
OAR
D

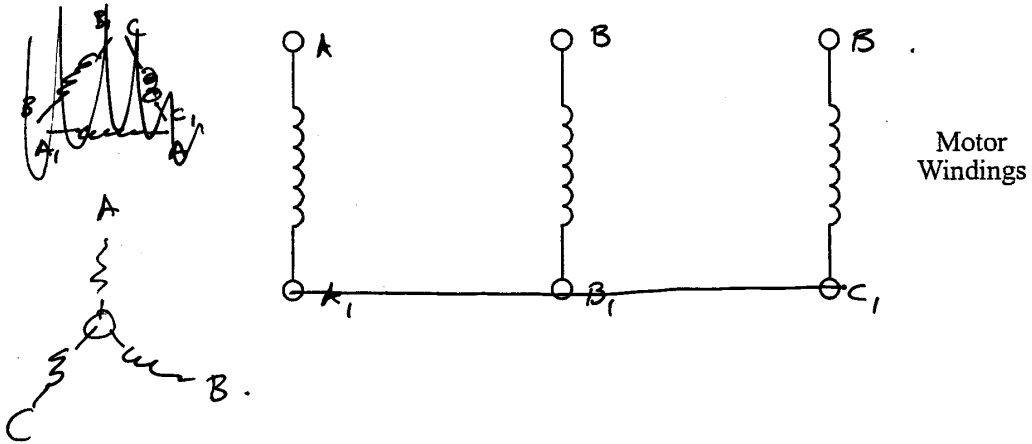
EMERGENCY
GEN

TO
CONSUMERS

(This Worksheet must be returned with your answer book)

STAR.

(i) ○ ○ ○ Supply



DELTA.

(ii) ○ ○ ○ Supply

